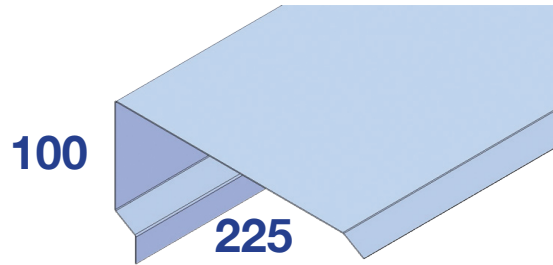
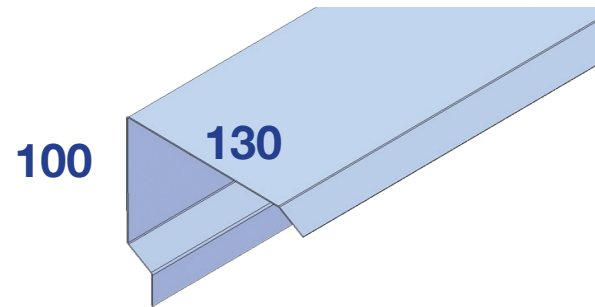


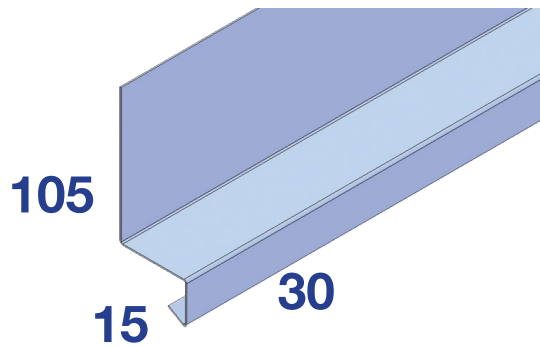
# FLASHINGS



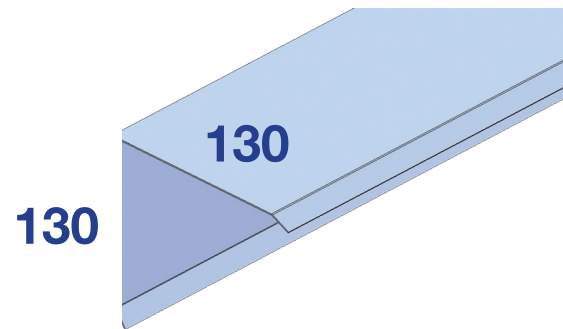
**Barge (A) Flashing x 3m  
(10x6)**



**Barge (B) Flashing x 3m  
(6x6)**



**Drip Rail x 3m**



**Corner Flashing  
x 3m (6x6)**